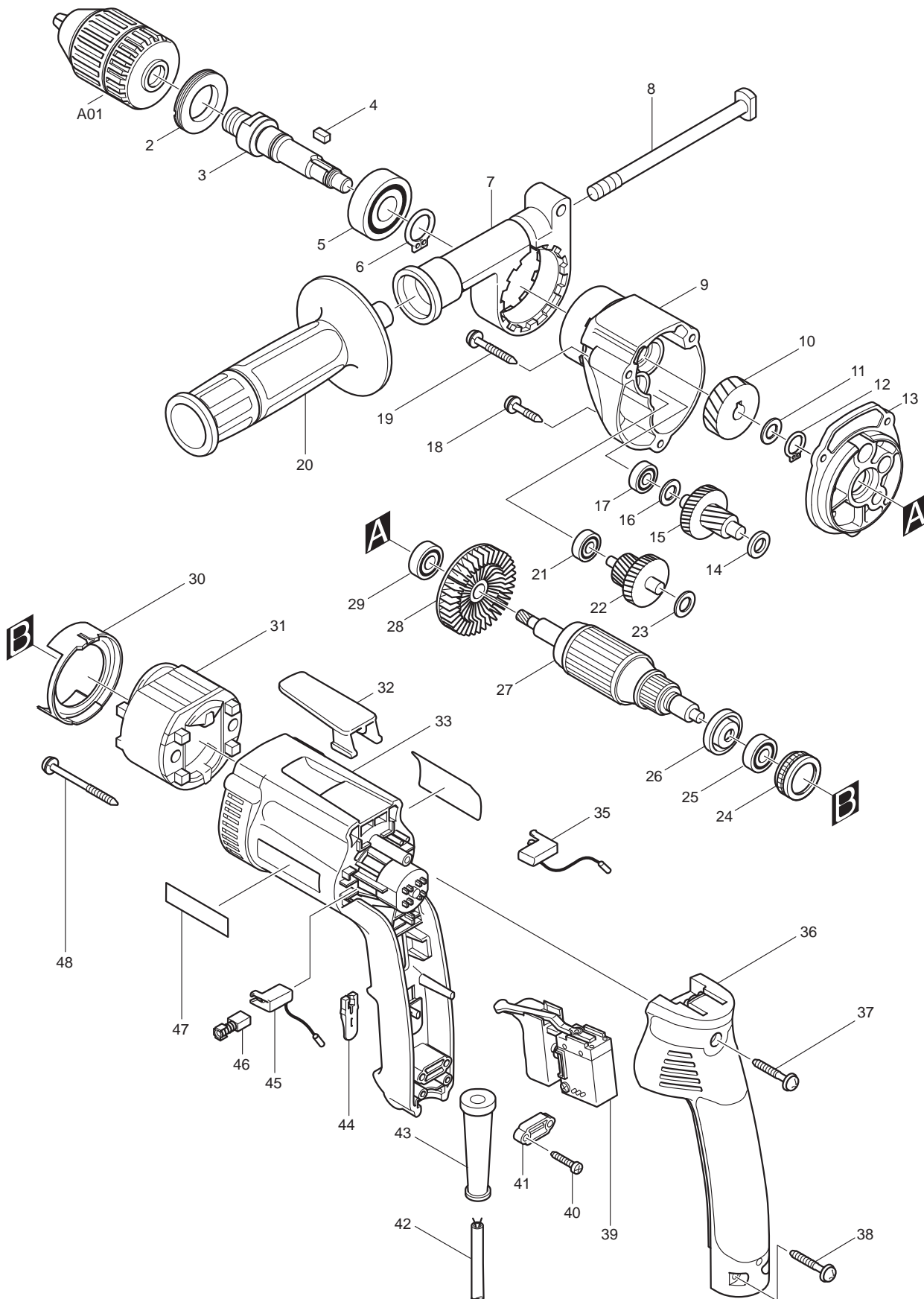




11 - 2009

DP4001

1/2" KEYLESS DRILL 0-900RPM



Item No.	Part No.	Description (* see Service changes on the bottom)	Qty	Unit
2	285807-7	BEARING RETAINER 22-36	1	PC.
3	324039-2	SPINDLE	1	PC.
4	254202-2	KEY 4	1	PC.
5	211206-7	BALL BEARING 6202LLB	1	PC.
6	961055-9	RETAINING RING S-15	1	PC.
7	317401-8	GRIP BASE	1	PC.
8	266261-4	BOLT M8X130	1	PC.
9	317397-3	GEAR HOUSING	1	PC.
10	226529-0	HELICAL GEAR 26	1	PC.
11	267143-3	FLAT WASHER 11	1	PC.
12	961051-7	RETAINING RING S-11	1	PC.
13	152639-6	GEAR HOUSING COVER COMPLETE	1	PC.
	INC. 212004-2	NEEDLE BEARING 810	1	PC.
	INC. 212016-5	NEEDLE BEARING 609	2	PC.
14	253804-1	FLAT WASHER 6	1	PC.
15	226136-9	GEAR COMPLETE 7-32	1	PC.
16	253133-2	FLAT WASHER 7	1	PC.
17	211021-9	BALL BEARING 607LLB	1	PC.
18	266050-7	TAPPING SCREW 4X30	1	PC.
19	266069-6	TAPPING SCREW 4X45	2	PC.
20	152521-9	GRIP 36 COMPLETE	1	PC.
21	211012-0	BALL BEARING 606ZZ	1	PC.
22	226137-7	GEAR COMPLETE 20-34	1	PC.
23	253804-1	FLAT WASHER 6	1	PC.
24	421479-6	RUBBER RING 19	1	PC.
25	211021-9	BALL BEARING 607LLB	1	PC.
26	681636-0	INSULATION WASHER	1	PC.
27	517356-9	ARMATURE ASS'Y 115V	1	PC.
	INC.	Item No. 25,26,28,29		
28	241873-4	FAN 55	1	PC.
29	211031-6	BALL BEARING 608LLB	1	PC.
30	417356-8	BAFFLE PLATE	1	PC.
31	633466-5	FIELD 115V	1	PC.
32	416996-9	HOOK (TYPE1)	1	PC.
	417625-7	HOOK (TYPE2)	1	PC.
33	183270-7	MOTOR HOUSING SET	1	SET
	INC.	Item No. 47		
35	643951-0	BRUSH HOLDER	1	PC.
36	152641-9	HANDLE COVER COMPLETE	1	PC.
	INC. 263002-9	RUBBER PIN 4	2	PC.
37	265999-8	TAPPING SCREW 4X25	1	PC.
38	265999-8	TAPPING SCREW 4X25	2	PC.
39	651991-4	SWITCH C3MA-2L-L	1	PC.
40	265995-6	TAPPING SCREW 4X18	2	PC.
41	687063-9	STRAIN RELIEF	1	PC.
42	664064-4	CORD W/PLUG 2P-18-2.5M, SJ (OLD#664013-1)	1	PC.
43	682559-5	CORD GUARD 8	1	PC.
44	417358-4	SLIDE LEVER	1	PC.
45	643948-9	BRUSH HOLDER	1	PC.
46	191927-6	CARBON BRUSH CB-407 2PC/SET (W/O ORIGIN)	1	SET
	195007-0	CARBON BRUSH CB-407 2PC/SET (W/ ORIGIN)	1	SET
47	819063-3	MAKITA LABEL	1	PC.
48	266060-4	TAPPING SCREW 4X65	2	PC.
49	442134-7	* GASKET (Added)	1	PC.
100		SPLICE	2	PC.

Item No.	Part No.	Description (* see Service changes on the bottom)	Qty	Unit
ACCESSORIES				
A01	192957-0	KEYLESS DRILL CHUCK	1	PC.
A02	134903-7	GRIP 36 ASS'Y	1	PC.
	INC.	Item No.7,8,20		
A03	824595-7	PLASTIC CARRYING CASE	1	PC.
	INC. 417059-4	LATCH (SNAP LOCK L)	2	PC.
A04	321059-7	DEPTH GAUGE	1	PC.

SERVICE CHANGES

A Gasket has been added between the gear housing and the gear housing cover for further improvement in grease sealing construction.

